

G·PLUS

CORDLESS DUAL ACTION POLISHING MACHINE.



PRODUCT DESCRIPTION

The G Plus Cordless Dual Action Polishing Machine has been developed to Farécla's own specifications. The soft start motor helps reduce product splash while the speed stabilisation offers the operator a constant speed output. The ergonomically engineered handle fits snugly into the grip of the operator and it is an exceptionally well-balanced machine thanks to its precision, CNC-machined counterweight that minimises vibration and the associated user fatigue.

The 15 mm orbit strikes the balance between speed and vibration. A larger throw than many orbital polishers gives faster paint correction, while having far less vibration than some larger-throw polishers.

Typical run time 45 mins (for 150 mm / 6" pads) and charge time from empty 1 hour.

PRODUCT INFORMATION

PRODUCTS	CODE	QTY.
G Plus Cordless Dual Action Polisher (tool only)	GPT250	1
ACCESSORIES		
G Plus 18V 5.0Ah Battery	GPT150	1
G Plus Twin Bay Charger	GPT151	1

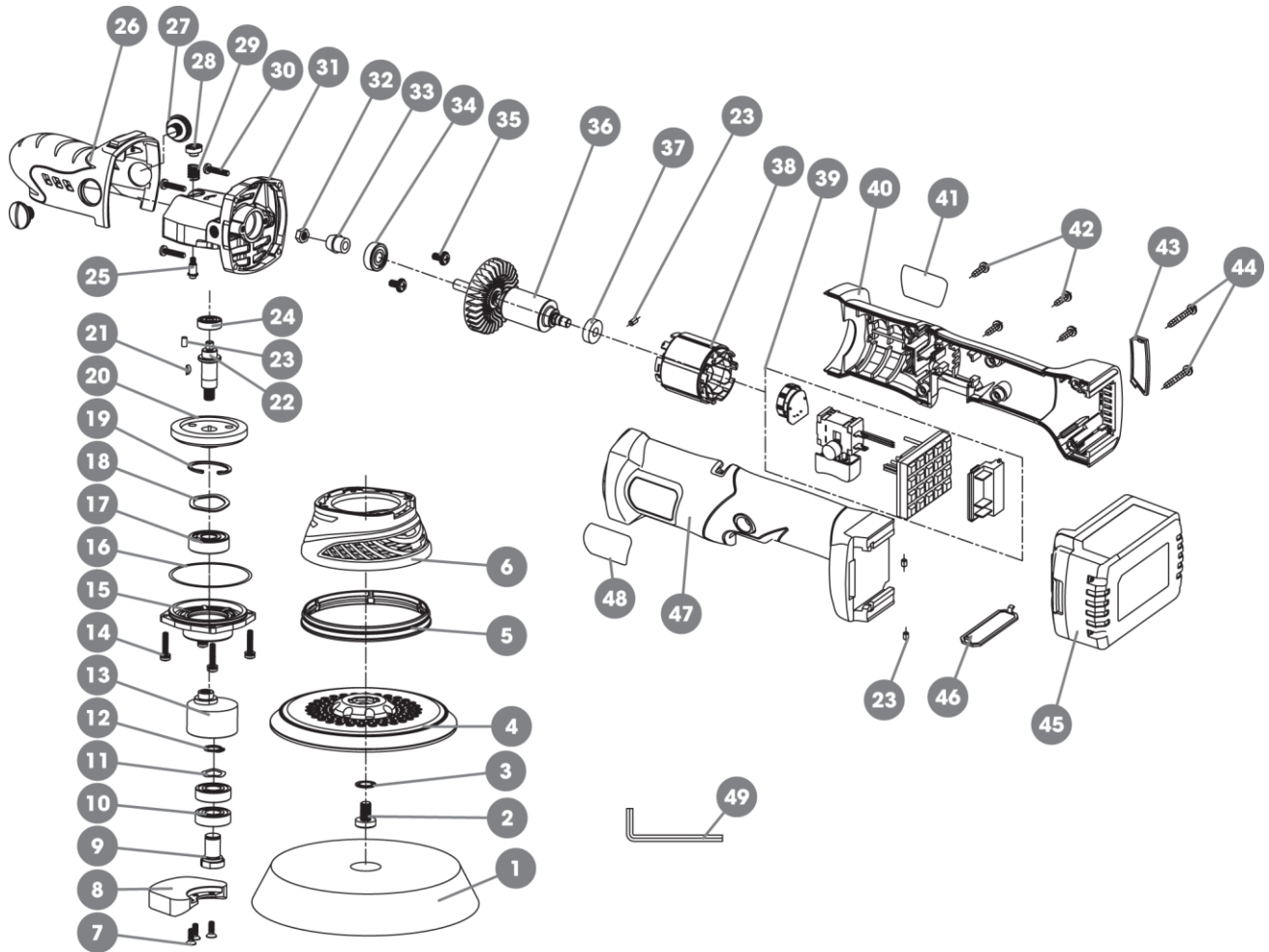
SUPPLIED WITH FREE G3 PRO PADS



KEY BENEFITS

15 MM THROW	Balancing speed of paint correction with machine vibration
PRECISION ENGINEERED COUNTERWEIGHT	Minimises vibration and the associated user fatigue
LIGHTWEIGHT	Only 2.7 kg including battery, reducing muscle fatigue
SPEED INDICATOR	Allows the user precision control from 2000 – 5000 opm
BACK PLATE INCLUDED	Multi-hole 123 mm back plate promotes air flow to help maintain a low polishing temperature





SPARE PARTS

No.	Part name	No.	Part name	No.	Part name
1	Applicator - 7502 / 7503 / 7504	17	Ball bearing 6201-2RS	36	Armature - GPT156
2	Screw M8 x 20	18	Wave spring washer 32	37	Ball bearing 607-2RZ
3	Wave washer 8	19	Circlip for holes 32	38	Field coil - GPT102
4	Back plate - GPT172	20	Gear - GPT186	39	Controller assembly - GPT162
5	Rubber ring - GPT189	21	Key 3 x 10	40	Housing (right)
6	Guard - GPT185	22	Output shaft	41	Farécla label
7	Screw M14 x 12	23	Rubber pin	42	Screw ST4.2 x 14
8	Counterweight	24	Ball bearing 626-2Z	43	Filter screen (R) - GPT103
9	Shaft - GPT136	25	Spindle-lock pin	44	Screw ST4.2 x 30
10	Ball bearing 6001-2RS - GPT142	26	Plastic case cover	45	Battery - GPT150
11	Wave spring washer 12	27	Plastic screw M10 x 8	46	Filter screen (D) - GPT104
12	Circlip for shaft 12 - GPT148	28	Lock pin cap - GPT187	47	Housing (left)
13	Eccentric block	29	Pin spring	48	Technical information label
14	Screw M4 x 18	30	Screw ST4.2 x 20	49	Allen wrench 6
15	Gear case cover	31	Gear case		
16	O-Ring 60 x 1.1	32	Nut M6		
		33	Pinion - GPT188		
		34	Ball bearing 608-2RZ		
		35	Screw M5 x 10		



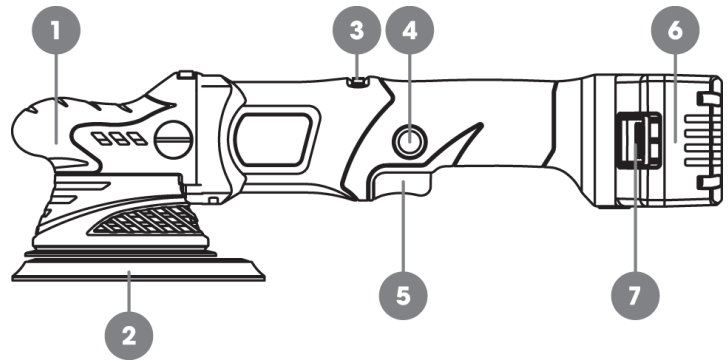
fareclaproductsltd

Farécla | SURFACE FINISHING
SPECIALISTS

Only use the charger and battery pack specified by Farécla. Read the operator's manual supplied with your charger and battery.

FUNCTIONAL DESCRIPTION

1. Front grip
2. Backing plate
3. Speed control dial
4. Trigger lock button
5. Switch trigger
6. Battery
7. Battery release button



SPARE PARTS

PARTS	CODE	QTY.	PARTS	CODE	QTY.
Speed controller	GPT162	5	Armature	GPT156	1
Field coil	GPT102	1	Filter screen (R)	GPT103	100
Rubber ring	GPT189	10	Filter screen (D)	GPT104	100
Gear	GPT186	10	Guard	GPT185	1
Pinion	GPT188	20	Lock pin cap	GPT187	100



G PLUS RECHARGEABLE LI-ION BATTERY
18V (5.0Ah)
GPT150 (780727 73702)



G PLUS 18V TWIN BAY CHARGER
GPT151 (780727 73704)

- Charger supplied with UK and EU plug leads
- Recommended temperature range for machine use and battery charging: +4°C to +40°C
- Charger has twin cooling fans
- Battery and charger both have charge indicator lights

ALTERNATIVE G PLUS POLISHERS:

- G Plus Electric Rotary Polishing Machine (with power cord) – UK 3-pin type G plug
- G Plus Electric Rotary Polishing Machine (with power cord) – EU 2-pin type C plug
- G Plus Electric Dual Action Polishing Machine (with power cord) – UK 3-pin type G plug
- G Plus Electric Dual Action Polishing Machine (with power cord) – EU 2-pin type C plug
- G Plus Cordless Rotary Polishing Machine – Suitable for UK and EU

- CODES**
- GPT003**
- GPT002**
- GPT203**
- GPT202**
- GPT050**

